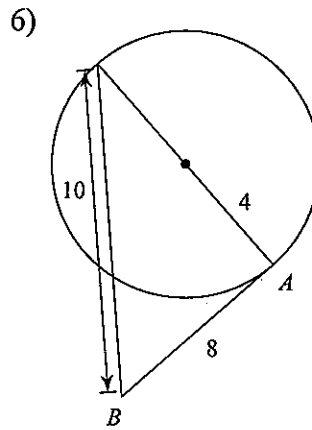
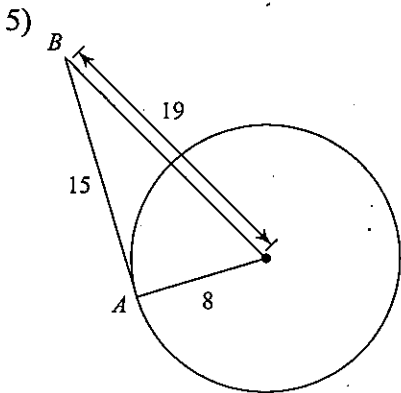
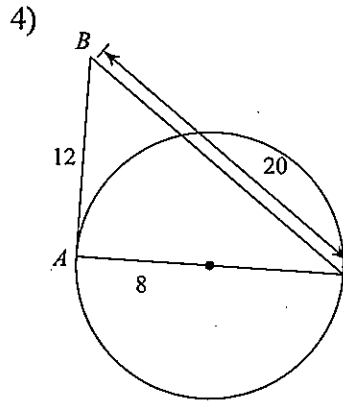
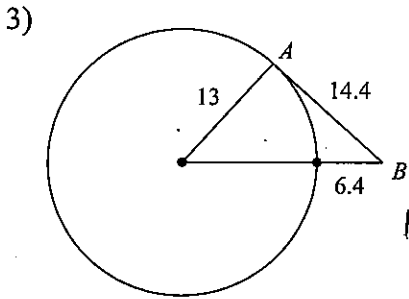
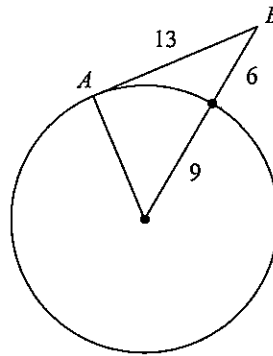
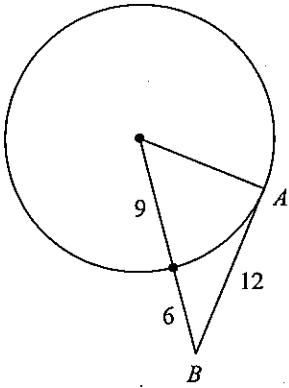


Perimeter of Polygons Tangent to Circle

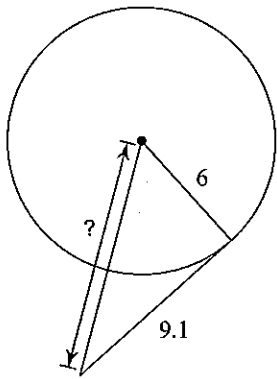
Determine if line AB is tangent to the circle.

1) Answer yes or NO - SHOW YOUR WORK 2)

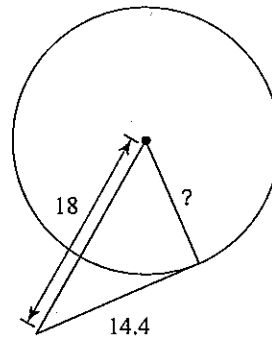


Find the segment length indicated. Assume that lines which appear to be tangent are tangent.

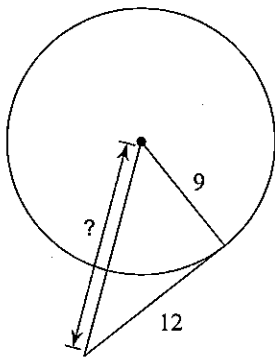
7)



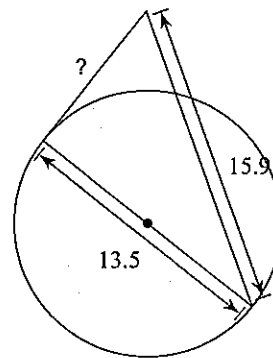
8)



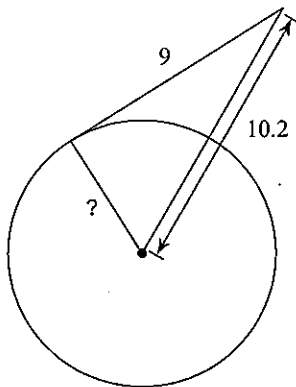
9)



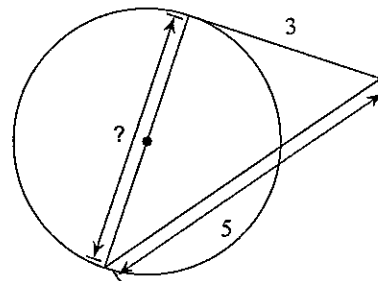
10)



11)

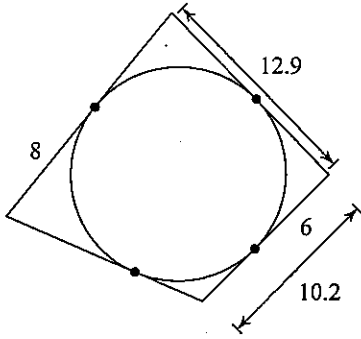


12)

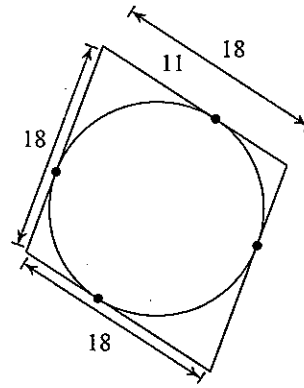


Find the perimeter of each polygon. Assume that lines which appear to be tangent are tangent.

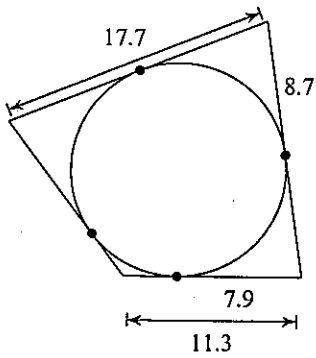
13)



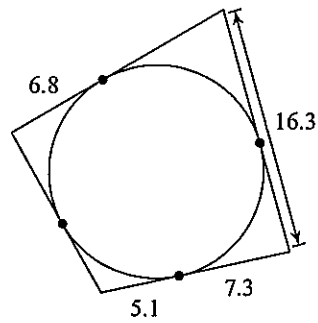
14)



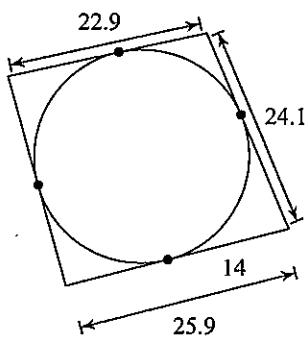
15)



16)



17)



18)

